



MOVING YOU FURTHER

15-18

20BT-9U



Some of the photos may include optional equipment.

 **HYUNDAI**
MATERIAL HANDLING

Your satisfaction is our priority!

Compact forklift with proven AC technology

Hyundai introduces the new BT-9U series 3 wheel battery forklift. The BT-9U series features upgrades to the previous series, including new technology that offers higher efficiency, durability and operator convenience.

Efficiency

- Improved energy efficiency management by applying a Full Electric Power Steering System.
- Powerful and fine-controlable drive performance by Dual Drive System.
- Precise Fingertip control, fully adjustable(OPT)
- Ergonomic designed Directional & Horn switch located on hydraulic controls

Durability

- Application of ZF-Schabmueller Drive System (Drive Axle + Drive motor + Electric Parking Brake) reduces noise level and provides increased reliability & durability.
- Durable proven Dual Micom - ZAPI ACE controllers
- Wet Disc Brakes
- IP43 Motor & IP65 Controller

Safety

- Curve Control feature reduces driving speed when entering a curve
- Speed Adaptive steering feedback increases the driving stability
- Anti-Roll Back feature prevents rolling backwards on a slope
- Electric Auto Parking Brake
- Operator Presence Sensing System

Easy service

- Lateral Battery Exchange System (roller-type) as std.
- Display with integrated Self-Diagnostic functions.
- Quality proven Continental SC18 Solid Tires as std.





Power & Performance

High Efficiency with Optimal Performance

An efficient, smooth running and compact design provides enhanced performance and outstanding productivity.



Some of the photos may include optional equipment.

ZF Dual Drive Train (ZF Drive gear + Schabmueller Drive Motor + Electric Parking Brake)

UPGRADE

ZF is a top global power train manufacturer, well known for reliability and durability. The ZF low-noise dual drive system ensures excellent drawbar pull and short turning radius, and the Schabmueller AC motors are virtually maintenance free. The Wet Brake System offers optimal brake performances with low maintenance needs. An automatic electric parking brake ensures safety and productivity.



Energy consumption Improvement

The energy consumption has been significantly reduced due to newly applied Zapi EPS system and ZF drive train. This adoption is expected to decrease the costs and increase the operating time.

Previous Model (20BT-9) : 8.5Kw/h

Upgraded Model (20BT-9U) : 5.7Kw/h improved by 33 %

※ The figures above are based on Hyundai's test results for a single charge cycle and may divert from actual working conditions.

UPGRADE



EPS (Electric Power Steering) System

The ZF gear in combination with the ZAPI EPS system offers lots of advantages:

- ZF gear system is virtually maintenance free
- Lower energy consumption
- Speed adaptive steering feedback
- Personalized parameter set-up possible

UPGRADE



New ZAPI Controller

The ZAPI ACE controller with dual microm, The capacity of drive controller has been increased for a higher driving performance. The controllers have an IP 65 protection level.

UPGRADE



Auto fork leveling system (OPT)

In order to improve productivity & safety the mast tilting will smoothly stop when the forks are in leveled position



Continental SC18 Solid Tire

Continental SC18 solid tires are equipped as a standard. It ensures low energy consumption and long service life.



Vehicle Performance optimized for working condition

This function optimizes the performance of vehicle for the purpose of work, such as speed of operation, maximum working time and operator's proficiency.

- H mode: High performance mode with fast driving speed and fast lifting speed
- N mode: Normal mode with balanced performance and energy consumption
- E mode: Economy mode maximizing battery autonomy



Easy & Comfort

Optimized Ergonomics & Easy Maintenance

An ideal arrangement of components ensures easy access and convenience for maintenance.

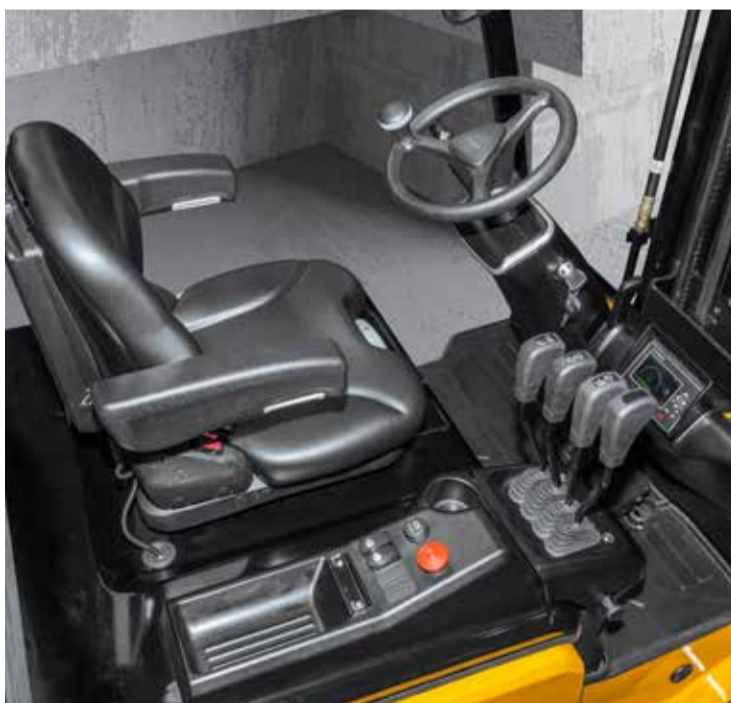
COMFORTABLE WORKSPACE

ADVANCED MONITORING SYSTEM



Spacious operating area

The newly designed driver compartment increases operating space, visibility and overall operator's comfort.



Directional & horn switch on lever (STD)

The electronic directional switch integrated into the lift lever increases the productivity and convenience for the operator



Finger tip control levers (OPT)

Ergonomically designed and adjustable fingertip control levers for improved operator comfort and productivity.

UPGRADE



Easy battery replacement

The lateral battery replacement offers a higher productivity, due to a fast and easy battery exchange, now even faster with guiding strips.



Low-vibration comfort seat

The Grammer seat MSG/65-531 stands for:
- High quality seat with wide seat cushion
- Adjustable suspension, armrests and backrest
- More seat options available



Camera options (OPT)

Two camera options are available:
- Rear view camera, integrated in the cluster, automatically activated.
- Front- and Rear view camera in separate monitor

4.3 inch LCD color monitor

The 4.3 inch LCD smart graphic display shows the driver all necessary information. Its operator menu can be adjusted to 11 different languages. Next to the display is the perfect tool for machine parameter set-up and on-board diagnoses.



Advanced LCD Monitor

- 1 Speed (Digital)
- 2 Steering wheel position and travel direction
- 3 Battery discharge indicator
- 4 Scroll up
- 5 Menu/Scroll Left
- 6 Performance/Scroll right
- 7 Turtle/Scroll down
- 8 ESC/Back
- 9 Enter
- 10 Low brake oil warning lamp
- 11 Error warning lamp
- 12 High temp warning lamp



Full cabin and more (OPT)

A heated full cabin & semi-cabin are available as an option.



Display options

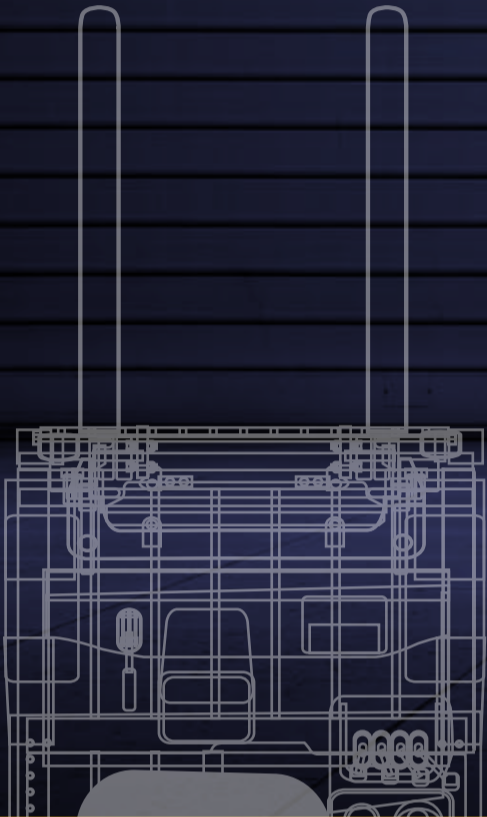
As a standard feature the driver can choose between 2 display layouts. If equipped with the optional load indicator, the loaded weight is shown on the display.



Secure & Safety

Advanced Safety

The safely designed driver's space makes your operating more comfortable.



Some of the photos may include optional equipment.



You can see the video by scanning the QR code.

Excellent visibility for safe operation

Optimized lift cylinder arrangement provides an excellent visibility for the operator. The panoramic mirror and the camera options for increased safety of the driver and pedestrians.



NEW



Red-Zone Light(OPT)

This optional new safety feature projects a safety working area on the floor, in order to warn pedestrians



Lights

LED combination lights and optional LED working lights offer excellent visibility in all circumstances, with a very low energy consumption.

UPGRADE

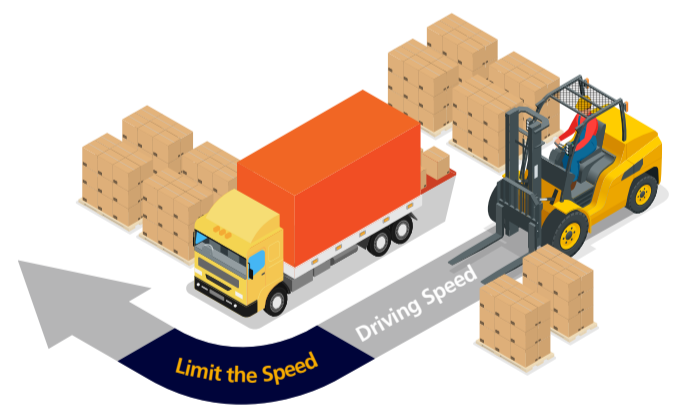


Auto parking brake

The activation and de-activation of the parking brake works automatically, no action required.

Safety features

UPGRADE



Speed Adaptive steering feedback & Curve control

The Speed-Adaptive steering feedback system offers:

- Light steering force on low speed, stands for low driver efforts and high productivity
- Stiffer steering force on high speed, stands for high driving stability and a relaxed drive

The Curve Control system limits the travel speed, based on the turning radius, for a smooth, precise turning operation for the driver.

UPGRADE



Anti roll back system (STD)

Anti Roll-back system offers protection against the machine rolling-back on a slope in combination with exceptional drive-off capabilities.



Steering features

Improved ergonomics by:

- Synchronized steering-knob position
- Reduced steering wheel diameter



High quality Li-ION battery (OPT)

Li-ION batteries ensure a high-performance of the equipment, allowing extended hours of continued operation by use of short high-current opportunity charges. The Hyundai Li-ION battery uses Samsung prismatic NMC cells, providing excellent performance and safety, with virtually zero maintenance. With its 5 Year warranty and a life span twice as long as a traditional lead-acid battery, the TCO will be significantly lower compared to lead-acid batteries.



Benefits of HCE's Li-ION battery



Operating time

- Extended battery autonomy by using short opportunity charges during breaks.
- No need for spare batteries and charging facilities.



Safety

- Multi-layered protection on cell.
- Enclosed battery case made of high-strength steel.
- No hazardous gases during charging process



Maintenance

- No need to replenish distilled water or electrolytes.
- Battery life span at least twice longer than lead / acid sulfuric acid batteries. (over 4,000 cycles)
- No emission of harmful gases and no restriction on the charging location.

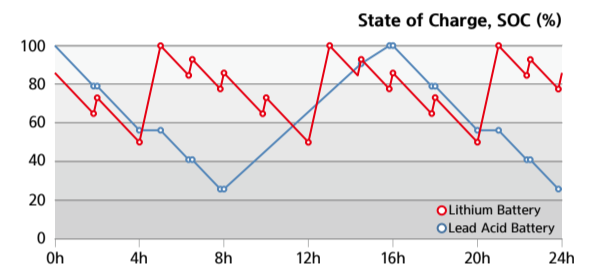


Cost savings

- Charging efficiency higher than lead / acid batteries. (80% → 90%)
- Less downtime due to zero maintenance



- Li-ION battery capacity :
 - 15BT-9U : 51.5V/376Ah
 - 18/20BT-9U : 51.5V/470Ah



• Graph comparing the charge and discharge

New 9 Series Mast Specification

15BT-9U

Mast Type	Maximum Fork Height		Max. Mast Height, Extended With Backrest		Overall Height (Lowered)		Free lift height						Tilt Angle		Load capacity w/o side shift		Load capacity hook-on side-shift		Max. lifting height with rated capacity STD attachment	Truck Weight (Unloaded)		
							With Load Backrest		Without Load Backrest		Without Load Backrest (3/4-SPOOL)		Fwd	Bwd	24 in LC	500 mm LC	24 in LC	500 mm LC				
							in	mm	in	mm	in	mm	deg	deg	lb	kg	lb	kg				mm
2-STAGE LIMITED FREE LIFT	V270	107.5	2730	146.5	3720	71.7	1822	1.4	35	1.4	35	1.4	35	5	7	3000	1500	2930	1440	2730	6841	3103
	V300	119.3	3030	158.3	4020	77.6	1972							5	7	3000	1500	2930	1440	3030	6885	3123
	*V330	131.1	3330	170.1	4320	83.5	2122							5	7	3000	1500	2930	1440	3330	6929	3143
	V350	139.0	3530	178.0	4520	87.5	2222							5	7	3000	1500	2930	1440	3530	6958	3156
	V370	146.9	3730	185.8	4720	91.4	2322							5	7	3000	1500	2930	1440	3730	6986	3169
	V400	158.7	4030	197.6	5020	97.3	2472							5	7	2950	1450	2840	1400	3600	7039	3193
	V450	178.3	4530	217.3	5520	111.1	2822							5	5	2840	1400	2730	1340	3400	7189	3261
	V500	198.0	5030	237.0	6020	120.9	3072							5	5	2750	1350	2640	1300	3300	7262	3294
2-STAGE FULL FREE LIFT	VS300	119.3	3030	158.4	4023	77.6	1972	38.3	972	59.3	1507	51.6	1312	5	5	3000	1500	2930	1440	3030	6969	3161
	VS330	131.1	3330	170.2	4323	83.5	2122	44.2	1122	59.3	1507	51.6	1312	5	5	3000	1500	2930	1440	3330	7017	3183
3-STAGE FULL FREE LIFT	TF370	147.2	3740	186.3	4733	69.8	1772	30.4	772	47.0	1205	42.0	1065	5	5	3000	1475	2860	1420	3300	7138	3238
	TF400	159.1	4040	198.1	5033	73.7	1872	34.3	872	51.3	1305	45.8	165	5	5	2930	1450	2820	1390	3200	7183	3258
	TF430	170.9	4340	210.0	5333	77.6	1972	38.3	972	55.3	1405	49.8	1265	5	5	2840	1400	2730	1340	3200	7227	3278
	TF450	178.7	4540	217.8	5533	81.6	2072	42.2	1072	61.2	1555	55.7	1415	5	5	2800	1375	2680	1320	3100	7269	3297
	TF470	186.6	4740	225.7	5733	83.5	2122	44.2	1122	61.2	1555	55.7	1415	5	5	2750	1350	2640	1300	3100	7293	3308
	TF500	198.4	5040	237.5	6033	87.5	2222	48.1	1222	59.6	1515	59.6	1515	5	5	2640	1300	2550	1250	3000	7337	3328
	TF550	218.1	5540	257.2	6533	95.4	2422	56.0	1422	75.0	1905	69.5	1765	5	5	2550	1250	2460	1200	2900	7423	3367
	TF600	237.8	6040	276.9	7033	103.2	2622	63.9	1622	82.8	2105	77.3	1965	5	5	2420	1175	2310	1130	2800	7564	3431
	TF650	257.5	6540	296.6	7533	111.1	2822	71.7	1822	89.9	2285	84.5	2145	3	3	1850	900	1760	850	2600	7663	3476
	TF700	277.2	7040	316.3	8033	119.0	3022	79.6	2022	97.0	2465	91.5	2325	3	3	1340	650	1270	610	2500	7747	3514
	TS430	170.9	4340	197.2	5333	77.6	1972	38.3	972	51.4	1307	44.8	1137	5	5	2840	1400	2730	1340	3200	7227	3278
	TS450	178.7	4540	207.2	5533	81.6	2072	42.2	1072	57.3	1457	50.6	1287	5	5	2800	1375	2680	1320	3100	7269	3297
	TS470	186.6	4740	212.2	5733	83.5	2122	44.2	1122	57.3	1457	50.6	1287	5	5	2750	1350	2640	1300	3100	7293	3308
	TS500	198.4	5040	222.2	6033	87.5	2222	48.1	1222	61.3	1557	54.6	1387	5	5	2640	1300	2550	1250	3000	7337	3328
	TS550	218.1	5540	242.2	6533	95.4	2422	56.0	1422	71.1	1807	64.5	1637	5	5	2550	1250	2460	1200	2900	7423	3367
TS600	237.8	6040	262.2	7033	103.2	2622	63.9	1622	79.0	2007	72.3	1837	5	5	2420	1175	2310	1130	2800	7564	3431	
TS650	257.5	6540	282.2	7533	111.1	2822	71.7	1822	86.0	2187	79.4	2017	3	3	1850	900	1760	850	2600	7663	3476	
TS700	277.2	7040	302.2	8033	119.0	3022	79.6	2022	93.0	2367	86.5	2197	3	3	1340	650	1270	610	2500	7747	3514	

* TS-Mast : Wide Visible 3-Stage Full Free Lift Mast with 2 Free Lift Cylinders.

* : Standard

New 9 Series Mast Specification

18BT-9U



Mast Type		Maximum Fork Height		Max. Mast Height, Extended With Backrest		Overall Height (Lowered)		Free lift height				Tilt Angle		Load capacity w/o side shift		Load capacity hook-on side-shift		Max. lifting height with rated capacity STD attachment	Truck Weight (Unloaded)			
								With Load Backrest		Without Load Backrest		Without Load Backrest (3/4-SPOOL)		Fwd	Bwd	24 in LC	500 mm LC				24 in LC	500 mm LC
		in	mm	in	mm	in	mm	in	mm	in	mm	deg	deg	lb	kg	lb	kg		mm	lb	kg	
2-STAGE LIMITED FREE LIFT	V270	107.5	2730	127.4	3235	71.8	1824	1.4	35	1.4	35	1.4	35	5	7	3500	1800	3500	1730	2730	7467	3387
	V300	119.3	3030	139.2	3535	77.7	1974							5	7	3500	1800	3500	1730	3030	7509	3406
	*V330	131.1	3330	131.6	3343	83.6	2124							5	7	3500	1800	3500	1730	3330	7555	3427
	V350	139.0	3530	158.9	4035	87.6	2224							5	7	3500	1800	3500	1730	3530	7584	3440
	V370	146.9	3730	166.7	4235	91.5	2324							5	7	3500	1800	3500	1730	3730	7610	3452
	V400	158.7	4030	178.5	4535	97.4	2474							5	7	3500	1750	3410	1680	3730	7665	3477
	V450	178.3	4530	198.2	5035	111.2	2824							5	5	3460	1700	3350	1640	3600	7813	3544
	V500	198.0	5030	217.9	5535	121.0	3074							5	5	3280	1600	3150	1540	3500	7888	3578
2-STAGE FULL FREE LIFT	VS300	119.3	3030	158.4	4023	77.7	1974	38.6	981	58.2	1479	52.7	1339	5	5	3500	1800	3500	1730	3030	7595	3445
	VS330	131.1	3330	170.2	4323	83.6	2124	44.5	1131	58.2	1479	58.6	1489	5	5	3500	1800	3500	1730	3330	7641	3466
3-STAGE FULL FREE LIFT	TF370	147.2	3740	186.3	4733	69.8	1774	30.7	781	47.4	1205	41.9	1065	5	5	3500	1750	3410	1680	3500	7765	3522
	TF400	159.1	4040	198.1	5033	73.8	1874	34.7	881	47.4	1205	45.9	1165	5	5	3460	1700	3320	1630	3400	7809	3542
	TF430	170.9	4340	210.0	5333	77.7	1974	38.6	981	47.4	1205	49.8	1265	5	5	3370	1650	3260	1590	3300	7853	3562
	TF450	178.7	4540	217.8	5533	81.7	2074	42.6	1081	61.2	1555	55.7	1415	5	5	3320	1625	3190	1560	3250	7895	3581
	TF470	186.6	4740	225.7	5733	83.6	2124	44.5	1131	61.2	1555	55.7	1415	5	5	3260	1600	3130	1530	3200	7919	3592
	TF500	198.4	5040	237.5	6033	87.6	2224	48.5	1231	65.2	1655	59.6	1515	5	5	3170	1550	3060	1490	3150	7963	3612
	TF550	218.1	5540	257.2	6533	95.4	2424	56.3	1431	75.0	1905	69.5	1765	5	5	2970	1450	2860	1390	3100	8049	3651
	TF600	237.8	6040	276.9	7033	103.3	2624	64.2	1631	82.9	2105	77.4	1965	5	5	2420	1175	2310	1130	3000	8190	3715
	TF650	257.5	6540	296.6	7533	111.2	2824	72.1	1831	90.0	2285	84.4	2145	3	3	2180	1050	2090	1010	2850	8287	3759
	TF700	277.2	7040	316.3	8033	119.1	3024	80.0	2031	98.4	2499	92.9	2359	3	3	1670	800	1580	760	2700	8373	3798
	TS430	170.9	4340	210.0	5333	77.7	1974	38.6	981	51.5	1307	44.8	1137	5	5	3370	1650	3260	1590	3300	7853	3562
	TS450	178.7	4540	217.8	5533	81.7	2074	42.6	1081	57.4	1457	50.7	1287	5	5	3320	1625	3190	1560	3250	7895	3581
	TS470	186.6	4740	225.7	5733	83.6	2124	44.5	1131	57.4	1457	50.7	1287	5	5	3260	1600	3130	1530	3200	7919	3592
	TS500	198.4	5040	237.5	6033	87.6	2224	48.5	1231	61.3	1557	54.6	1387	5	5	3170	1550	3060	1490	3150	7963	3612
	TS550	218.1	5540	257.2	6533	95.4	2424	56.3	1431	71.1	1807	64.4	1637	5	5	2970	1450	2860	1390	3100	8049	3651
	TS600	237.8	6040	276.9	7033	103.3	2624	64.2	1631	79.0	2007	72.3	1837	5	5	2420	1175	2310	1130	3000	8190	3715
	TS650	257.5	6540	296.6	7533	111.2	2824	72.1	1831	86.1	2187	79.4	2017	3	3	2180	1050	2090	1010	2850	8287	3759
TS700	277.2	7040	316.3	8033	119.1	3024	80.0	2031	93.2	2367	86.5	2197	3	3	1670	800	1580	760	2700	8373	3798	

* TS-Mast : Wide Visible 3-Stage Full Free Lift Mast with 2 Free Lift Cylinders.

※ : Standard

New 9 Series

Gradeability and Travel Speed

20BT-9U



Mast Type		Maximum Fork Height		Max. Mast Height, Extended With Backrest		Overall Height (Lowered)		Free lift height				Tilt Angle		Load capacity w/o side shift		Load capacity hook-on side-shift		Max. lifting height with rated capacity STD attachment	Truck Weight (Unloaded)			
								With Load Backrest		Without Load Backrest		Without Load Backrest (3/4-SPOOL)		Fwd	Bwd	24 in LC	500 mm LC				24 in LC	500 mm LC
		in	mm	in	mm	in	mm	in	mm	in	mm	deg	deg	lb	kg	lb	kg		mm	lb	kg	
2-STAGE LIMITED FREE LIFT	V270	107.5	2730	127.4	3235	71.8	1824	1.6	40	1.6	40	1.6	40	5	7	4000	2000	3900	1920	2730	7762	3521
	V300	119.3	3030	139.2	3535	77.7	1974							5	7	4000	2000	3900	1920	3030	7804	3540
	*V330	131.1	3330	131.6	3343	83.6	2124							5	7	4000	2000	3900	1920	3330	7851	3561
	V350	139.0	3530	158.9	4035	87.6	2224							5	7	4000	2000	3900	1920	3530	7879	3574
	V370	146.9	3730	166.7	4235	91.5	2324							5	7	4000	2000	3900	1920	3730	7906	3586
	V400	158.7	4030	178.5	4535	97.4	2474							5	7	3960	1950	3810	1880	3600	7961	3611
	V450	178.3	4530	198.2	5035	111.2	2824							5	5	3770	1850	3630	1780	3400	8108	3678
	V500	198.0	5030	217.9	5535	121.0	3074							5	5	3660	1800	3540	1730	3300	8183	3712
2-STAGE FULL FREE LIFT	VS300	119.3	3030	158.4	4023	77.7	1974	38.8	986	59.7	1516	52.9	1344	5	5	4000	2000	3900	1920	3030	7890	3579
	VS330	131.1	3330	170.2	4323	83.6	2124	44.7	1136	59.7	1516	58.8	1494	5	5	4000	2000	3900	1920	3330	7937	3600
3-STAGE FULL FREE LIFT	TF370	147.2	3740	186.3	4733	69.8	1774	30.9	786	47.6	1210	42.1	1070	5	5	3960	1950	3830	1880	3300	8060	3656
	TF400	159.1	4040	198.1	5033	73.8	1874	34.9	886	51.6	1310	46.1	1170	5	5	3880	1900	3720	1830	3200	8104	3676
	TF430	170.9	4340	210.0	5333	77.7	1974	38.8	986	55.5	1410	50.0	1270	5	5	3770	1850	3660	1790	3100	8148	3696
	TF450	178.7	4540	217.8	5533	81.7	2074	42.8	1086	61.4	1560	55.9	1420	5	5	3720	1825	3590	1770	3050	8190	3715
	TF470	186.6	4740	225.7	5733	83.6	2124	44.7	1136	61.4	1560	55.9	1420	5	5	3680	1800	3540	1740	3000	8214	3726
	TF500	198.4	5040	237.5	6033	87.6	2224	48.7	1236	65.4	1660	59.8	1520	5	5	3570	1750	3460	1690	3000	8258	3746
	TF550	218.1	5540	257.2	6533	95.4	2424	56.5	1436	75.2	1910	69.7	1770	5	5	3480	1700	3370	1640	2950	8344	3785
	TF600	237.8	6040	276.9	7033	103.3	2624	64.4	1636	83.1	2110	77.6	1970	5	5	3200	1550	3080	1500	2850	8485	3849
	TF650	257.5	6540	296.6	7533	111.2	2824	72.3	1836	90.2	2290	84.6	2150	3	3	2645	1200	2535	1150	2750	8582	3893
	TF700	277.2	7040	316.3	8033	119.1	3024	80.2	2036	98.6	2504	93.1	2364	3	3	2180	1050	2110	1010	2600	8668	3932
	TS430	170.9	4340	197.2	5333	77.7	1974	38.8	986	51.7	1312	45.0	1142	5	5	3770	1850	3660	1790	3100	8148	3696
	TS450	178.7	4540	207.2	5533	81.7	2074	42.8	1086	57.6	1462	50.9	1292	5	5	3720	1825	3590	1770	3050	8190	3715
	TS470	186.6	4740	212.2	5733	83.6	2124	44.7	1136	57.6	1462	50.9	1292	5	5	3680	1800	3540	1740	3000	8214	3726
	TS500	198.4	5040	222.2	6033	87.6	2224	48.7	1236	61.5	1562	54.8	1392	5	5	3570	1750	3460	1690	3000	8258	3746
	TS550	218.1	5540	242.2	6533	95.4	2424	56.5	1436	71.3	1812	64.6	16									

New 9 Series

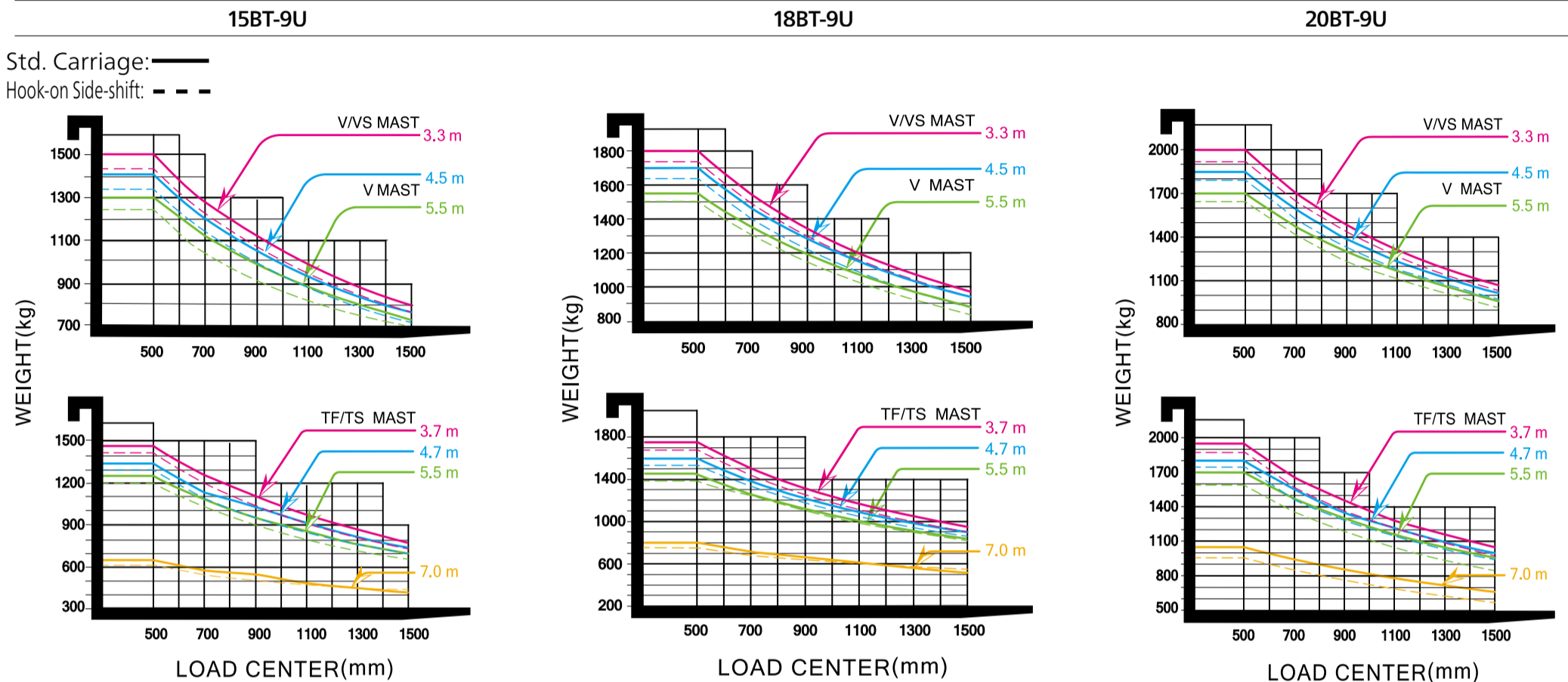
15/18/20BT-9U

Optional Items

· Fork (mm) : 40x100x900, 950, 1000, 1050, 1150, 1200(STD), 1350, 1500, 1600 · Integral Sideshift · Integral Fork-Positionner (Revolution-kit) · Finger Tip Control · Directional Switch on Steering column
 · Tire : Non-marking / Wide tire [15BT-9U : Front tire (200 / 50-10)] · Basic Cold Storage (at max. - 30°C ambient temperature) · M.C.V : 3-Spool (STD), 4-Spool · Auto Fork Leveling · Beacon Lamp · Load Indicator
 · Work lamp : LED · Blue Spot · Full and semi-Cabin · Rear view and Front & Rear View Camera · Red-Zone light · Top-loader battery exchange system · Drive-in Rack Head guard · Seat-belt interlock

for more options contact your local dealer

Load Capacity



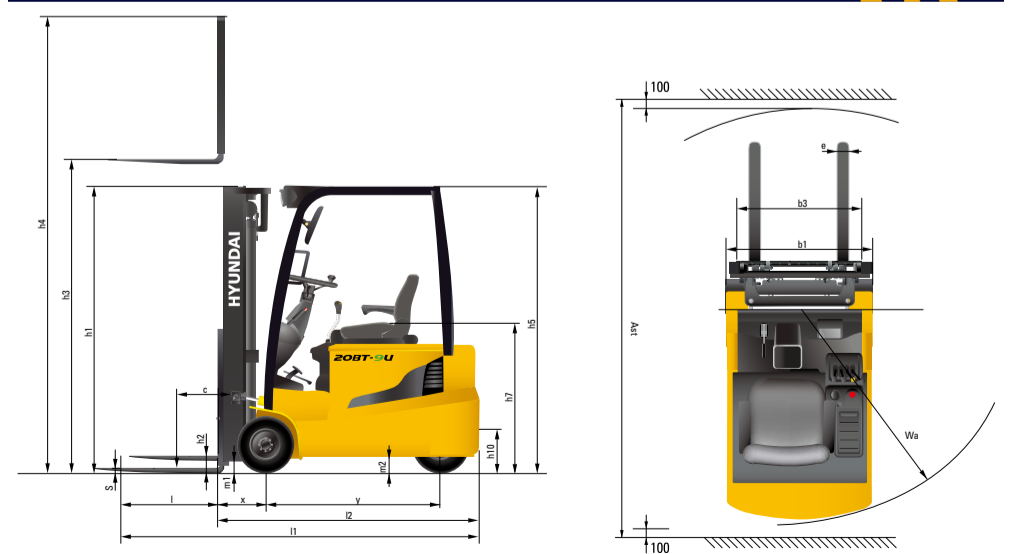
New 9 Series

Specification

DISTINGUISHING MARK					
1.1	Manufacturer (Abbreviation)		Hyundai		
1.2	Manufacturer's Type Designation	15BT-9U	18BT-9U	20BT-9U	
1.3	Drive : Electric (Battery Or Mains), Diesel, Petrol, Fuel Gas	electric	electric	electric	
1.4	Type Of Operation: Hand, Pedestrian, Standing, Seated, Order-Picker	seated	seated	seated	
1.5	Load Capacity / Rated Load	Kg (Lb)	1500 (3000)	1800 (3500)	2000 (4000)
1.6	Load Center Distance	c mm (in)	500 (24)	500 (24)	500 (24)
1.8	Load Distance, Center Of Drive Axle To Fork	x mm (in)	380 (14.96)	380 (14.96)	380 (14.96)
1.9	Wheelbase	y mm (in)	1345 (53.0)	1430 (56.30)	1430 (56.30)
WEIGHT					
2.1	Service Weight	kg (lb)	3118 (6874)	3407 (7511)	3542 (7809)
2.2	Axle Loading, Loaded Front / Rear	kg (lb)	4129/489 (8842/1032)	4642/565 (9748/1263)	4956/586 (10572/1237)
2.3	Axle Loading, Unloaded Front / Rear	kg (lb)	1654/1464 (3646/3228)	1741/1666 (3838/3673)	1725/1817 (3804/4005)
TIRES, CHASSIS					
3.1	Tires : Solid Rubber, Superelastic, Pneumatic, Polyurethane		SE	SE	SE
3.2	Tire Size, Front		18x7-8	200/50-10	200/50-10
3.3	Tire Size, Rear		15x4.5-8	15x4.5-8	15x4.5-8
3.5	Wheels, Number Front / Rear (X = Driven Wheels)		2x/2	2x/2	2x/2
3.6	Tread, Front	mm (in)	895 (35.2)	905 (35.6)	905 (35.6)
3.7	Tread, Rear	mm (in)	184 (7.24)	184 (7.24)	184 (7.24)
DIMENSIONS					
4.1	Tilt Of Mast/Fork Carriage Forward/Backward	degree	5/7	5/7	5/7
4.2	Height, Mast Lowered	h1 mm (in)	2120 (83.5)	2120 (83.5)	2120 (83.5)
4.3	Free Lift	h2 mm (in)	35 (1.4)	35 (1.4)	40 (1.5)
4.4	Lift Height	h3 mm (in)	3330 (131.10)	3330 (131.10)	3330 (131.10)
4.5	Height, Mast Extended	h4 mm (in)	4320 (170.07)	4320 (170.07)	4320 (170.07)
4.7	Height Of Overhead Guard (Cabin)	h5 mm (in)	2065 (81.29)	2065 (81.29)	2065 (81.29)
4.8	Seat Height / Stand Height Rel. To Sip	h7 mm (in)	1090 (42.91)	1090 (42.91)	1090 (42.91)
4.12	Coupling Height	h10 mm (in)	520 (20.5)	520 (20.5)	520 (20.5)
4.19	Overall Length	l1 mm (in)	3100 (122.04)	3180 (125.2)	3225 (126.97)
4.20	Length To Face Of Forks	l2 mm (in)	1900 (78.35)	1990 (78.3)	2025 (79.72)
4.21	Overall Width	b1 mm (in)	1074 (42.28)	1105 (43.50)	1105 (43.50)
4.22	Fork Dimensions	s x e x l mm (in)	40x100x1200 (1.6x4x47.2)	40x100x1200 (1.6x4x47.2)	40x100x1200 (1.6x4x47.2)
4.23	Fork Carriage Iso 2328, Class / Type A, B		2A	2A	2A
4.24	Fork-Carriage Width	b3 mm (in)	1006 (39.60)	1006 (39.60)	1006 (39.60)
4.31	Ground Clearance, Below Mast, Loaded	m1 mm (in)	89 (3.50)	89 (3.50)	89 (3.50)
4.32	Ground Clearance, Center Of Wheelbase	m2 mm (in)	95 (3.74)	95 (3.74)	95 (3.74)
4.33	Aisle Width For Pallets 1000 X 1200 Crossways (L X W)	Ast mm (in)	3244 (127.72)	3334 (131.26)	3364 (132.44)
4.34	Aisle Width Of Pallets 800 X 1200 Crossways (W X L)	Ast mm (in)	3369 (132.64)	3459 (136.18)	3489 (137.36)
4.35	Turning Radius	Wa mm (in)	1540 (60.62)	1630 (64.17)	1660 (65.35)

PERFORMANCE DATA					
5.1	Travel Speed, Loaded / Unloaded	km/h (mph)	16/16 (9.9/9.9)	16/16 (9.9/9.9)	16/16 (9.9/9.9)
5.2	Lift Speed, Loaded / Unloaded	mm/s (ft/min)	400/550 (78.7/108.3)	400/550 (78.7/108.3)	400/550 (78.7/108.3)
5.3	Lowering Speed, Loaded / Unloaded	mm/s (ft/min)	550/450 (108.3/88.6)	550/450 (108.3/88.6)	550/450 (108.3/88.6)
5.6	Max. Drawbar Pull, Loaded / Unloaded	N (lb)	15102/14759 (3395/3318)	15190/14710 (3415/3306)	14367/14043 (3229.7/3156)
5.8	Max. Gradeability, Loaded / Unloaded	%	29.5/-	27.5/-	24.5/-
5.10	Service Brake		hydr.	hydr.	hydr.
ELECTRIC-MOTOR					
6.1	Drive Motor Rating S2 60 Min	kW (hp)	5.4x2 (7.3x2)	5.4x2 (7.3x2)	5.4x2 (7.3x2)
6.2	Lift Motor Rating At S3 15%	kW (hp)	14.9 (20.3)	14.9 (20.3)	14.9 (20.3)
6.4	Battery Voltage, Nominal Capacity K5	V/Ah	48/525 or 602	48/625 or 750	48/625 or 750
6.5	Battery Weight (Min.)	Kg (lb)	780 (1742)	950 (2094)	950 (2094)
6.7	Battery Compartment Dimensions L/W/H	mm (in)	983/553/650 (38.7/21.8/25.6)	983/638/650 (38.7/25.1/27.6)	983/638/650 (38.7/25.1/27.6)
ADDITION DATA					
8.1	Type Of Drive Control	AC	AC	AC	AC
8.2	Operating Pressure, System / Attachments	bar (psi)	190/130 (2755/1885)	190/130 (2755/1885)	190/130 (2755/1885)
8.3	Oil Volume For Attachments	LPM	20	20	20

Dimension



* All specifications in this catalog are subject to change according to the optional items.



Hyundai Construction Equipment Europe nv
Hyundailaan 4, 3980 Tessenderlo, Belgium **Tel:** (32) 14-56-2200 **Fax:** (32) 14-59-3405



www.hyundai-mh.com / 2020.03 Rev. 6
You can visit the website
by scanning the QR code.