

# 180D-9

Performance Enhanced For Stage IV

MOVING YOU FURTHER

HYUNDAI HEAVY INDUSTRIES



■ Photo may include optional equipment

 **HYUNDAI**  
HEAVY INDUSTRIES EUROPE

---

# Your satisfaction is **our priority!**

Hyundai introduces a new line of **9-series** diesel forklift trucks.  
The newly designed big truck range provides  
every operator comfortable driving, increased productivity and easy maintenance.

---



## **New Diesel Forklift with Proven Quality and Advanced Technology**

- **Maximum performance**
  - **Spacious operator's cab**
  - **Load weight indicator**
  - **OPSS System for safe operation**
  - **Easy serviceability**
  - **Tilting cabin**
- 



■ Photo may include optional equipment

# High Efficiency & **Optimal Performance**



## **Benz(MTU) OM936(6R1000) Engine**

**210kW / 2,200 rpm**

**117kgf.m / 1,400 rpm**



### **Powerful Engine**

The six cylinders turbo-charged engine is built for power, reliability and economy. This engine meets EU stage IV emission regulation.

### **Excellent fuel efficiency**

### **SCR (Selective Catalytic Reduction)**

No DPF and no DOC required

### **EGR(Exhaust Gas Recirculation)**

- High torque at low speeds
- Excellent transient behavior

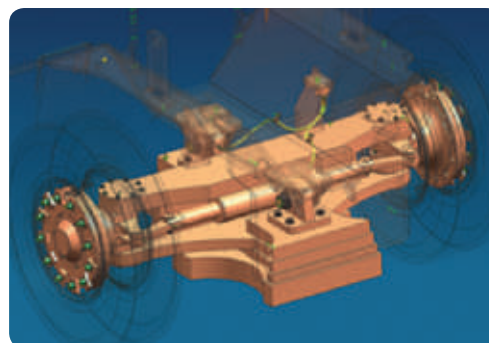
Powerful engine and high technology systems provide you with enhanced performance and highest productivity.

# 180D-9



### ZF Full-automatic Transmission

Full-automatic transmission gives easy, convenient handling and soft, smooth shifting. The operator can select two kinds of automatic modes. (1st <math>\leftrightarrow</math> 3rd, 2nd <math>\leftrightarrow</math> 3rd)

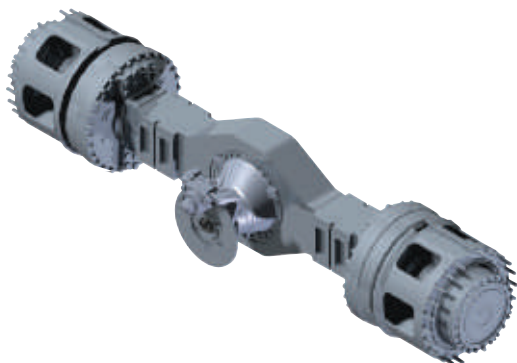


### Fully Hydrostatic Power Steering

The hydraulic steering system always guarantees smooth and flexible steering, preventing over-run and kick-back.

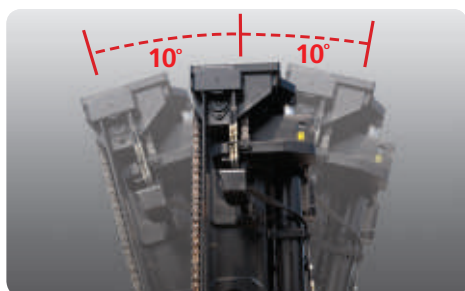
### Kessler Durable drive axle

The planetary reduction drive axle smoothly delivers desired torque to the drive wheels.



### Wet Disc Brake System

The wet disc brake system is virtually maintenance free and is enclosed to protect from dust and water.



### Increased mast tilting angle

Utilizing the mast tilting angle of 10 degrees forward and 10 degrees backward, the operator can perform loading and unloading jobs safely and rapidly.



### Max. Gradeability (loaded / Unloaded)

Model	%
180D-9	31.1 / 30.4

### Max. Travel Speed (Unloaded)

Model	Km / h
180D-9	37.5

### Faster Travel Speed and Gradeability

The powerful high-output engine provides greater acceleration, better gradeability and faster travel speed on any tough terrain or slope.

# Best Convenience & Optimised Ergonomics



■ Photo may include optional equipment

## Spacious Operator Cabin

The newly designed cabin was conceived for more space, a wider field of view and operator comfort.



**MP3 CD Player & Remote Control**



**Bluetooth Hands Free (Option)**



**Centralized Instrument switch Panel**



## Luxury (Air-suspension+Heat+HeadRest) seat (Option)

An attractive and adjustable seat, based on a human engineering design, provides great comfort, safety and durability.

The ergonomically designed cabin provides full support and comfort to the operator.

## 180D-9



### Quick Response of Operating Control Levers

Only minimal operator's effort is required for precise, safe and productive control.

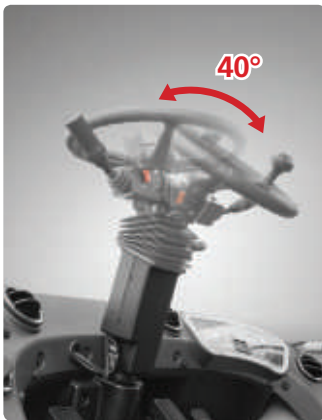
(5-Lever, 6-Function : Standard)

(5-Lever, 7-Function : Option)



### Ergonomically positioned pedals

Based on human engineering the accelerator, brake and inching pedals are optimally positioned for the operator's convenience.

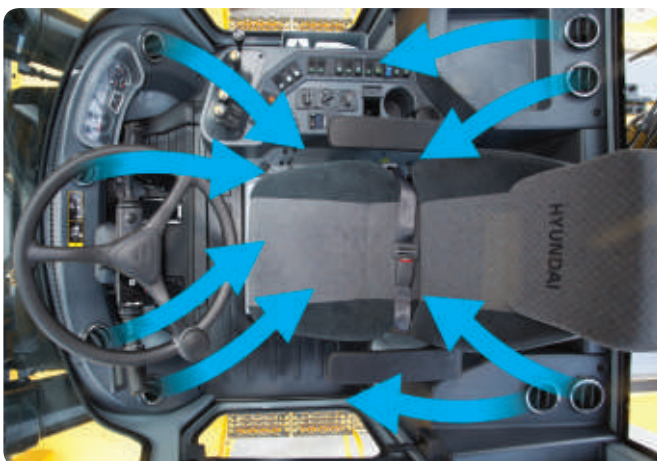


### Top - Wiper (STANDARD)

Secure a clear visibility on the roof.

### Adjustable steering column

Steering handle is adjustable depending on the operator's body shape. Steering column is adjustable depending on the operator's body size.



### High-output Air Conditioner & Heater

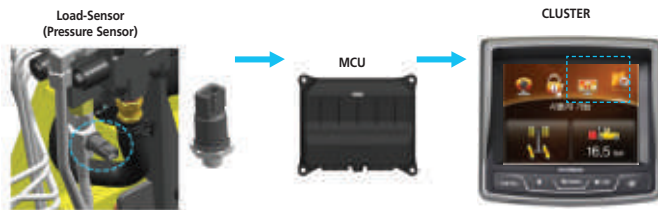
To save room in the cabin and ensure visibility the air conditioner is mounted on the upper side of the cabin.

# Advanced **Safety**



## **Adjustable Engine Idle RPM**

While engine runs, idle rpm can be increased in steps of 25rpm and it keeps previously set rpm when engine restarts.



## **Load indicator**

The optional load indicator displays the load weight in the monitor. The load sensor reduces the time to check loaded weight and the alarm alerts the driver when overloaded.



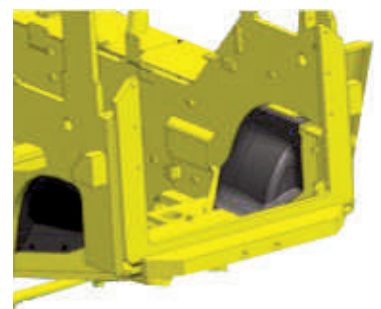
## **Up-to-date Cooling System**

The minimum fuel consumption and low noise are available by applying hydraulic cooling fan sensing intake air temperature, transmission oil temperature, coolant temperature and hydraulic temperature.



## **Cabin Tilting Automatic System**

Cabin tilting automatic system makes servicing of all power train components quick and easy. An electrically assisted hydraulic actuated cylinder tilts operator cabin to the right side about 65 degrees for easy access to inside of truck components.



## **Rear Tire cover**

The Rear tire cover with PE material is equipped to prevent clogging of the radiator from foreign substances.



The safely designed driver's space makes your operating more comfortable.

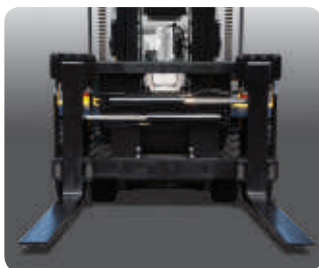
# 180D-9

## OPSS (Operator Presence Sensing System)

When the operator is not in the seat all mast and drive movements are impossible.



■ Photo may include optional equipment



### Highly durable Carriage

The carriage is very strong cause of applying the high tensile structural steel which has a excellent durability.



### Large footboard & Handle

Wide "open" step offers convenience and safety when entering and exiting the truck.



### Excellent Night Work

- Various position of work lamp provides the operator more comfortable and safe operating environments.
- Front : fender(2), mast(4) - Rear : cab(2)
- LED Rear Combination Lamp



# Fast and Easy Maintenance



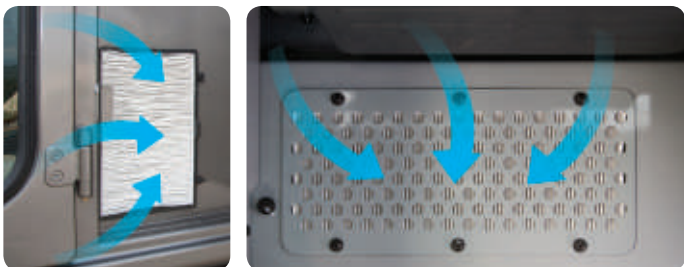
## Large Engine Hood

Highly accessible engine compartment assures fast and efficient maintenance.



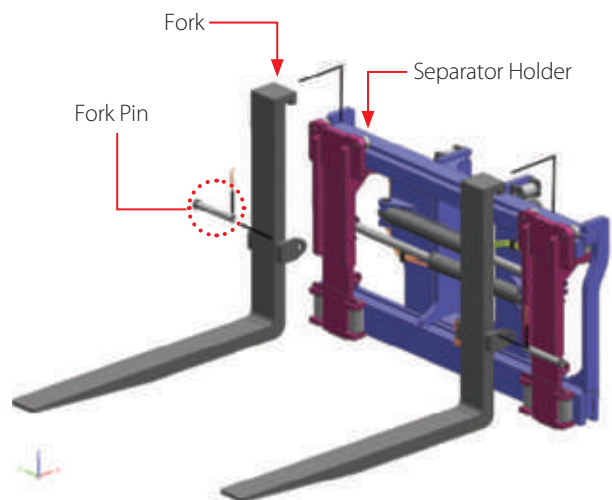
## Easy Change Air Cleaner

This air filter is readily accessible for cleaning or replacement.



## Cabin Air Fresh Filter

The cabin is slightly overpressured to keep dust outside of the cabin and to reduce noise levels.



## Separator holder type Fork Carriage (Option)

To improve handling and easily switch forks and other attachments separator holder system is adopted as an option. It is possible to install various attachments like coil ram easily.

An ideal arrangement of components ensures easy access and convenience for maintenance.

# 180D-9



### Rear View Camera

The rear view camera makes the operation more easy and convenient and supports 4 camera channels.

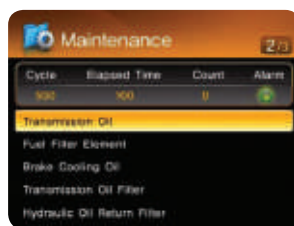


■ Photo may include optional equipment



### Master Switch

A master switch disconnects the battery power to protect the electrical system from excess electrical drainage.

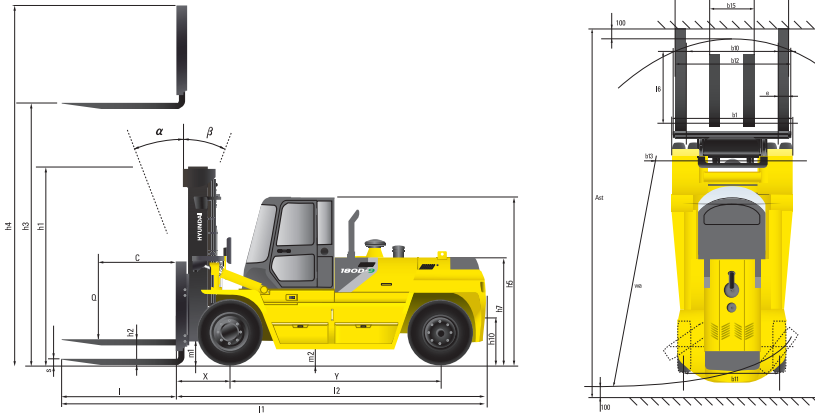


### Maintenance Management display



### Engine Start Limit

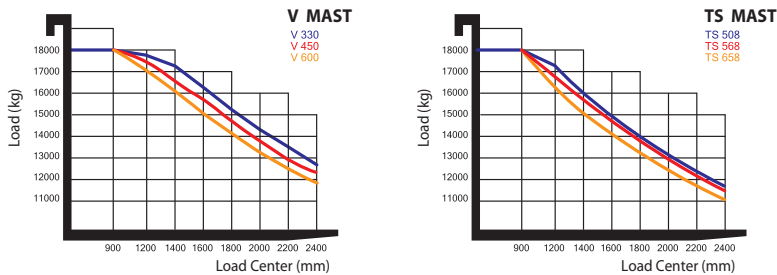
## Dimension



## Mast Specification

Mast Type	Maximum Fork Height (mm)	Overall Height Lowered (mm)	Tilt Angle Forward/Backward (deg)	Load Capacity (900 mm LC) (kg)	Truck Weight Unloaded (kg)	
SIMPLEX MAST	V300	3,020	3,200	10 / 10	18,000	25,966
	* V330	3,320	3,350	10 / 10	18,000	26,094
	V350	3,520	3,450	10 / 10	18,000	26,170
	V400	4,020	3,700	10 / 10	18,000	26,541
	V450	4,520	3,950	10 / 10	18,000	26,687
	V500	5,020	4,200	10 / 10	18,000	27,064
	V550	5,520	4,450	10 / 10	18,000	27,278
	V600	6,020	4,700	10 / 10	18,000	27,493
TRIPLEX MAST	V650	6,520	4,950	10 / 10	18,000	27,690
	V700	7,020	5,200	10 / 10	18,000	27,880
	TS460	4,634	2,950	10 / 10	18,000	27,350
	TS508	5,084	3,100	10 / 10	18,000	27,522
	TS538	5,384	3,200	10 / 10	18,000	27,693
	TS568	5,684	3,300	10 / 10	18,000	27,785
	TS600	6,044	3,420	10 / 10	18,000	27,922
	TS658	6,584	3,600	10 / 10	18,000	28,116
TS700	7,034	3,750	10 / 10	18,000	28,265	

## Load Capacity



## Optional Items

- Fork (L x W x T) (mm)  
2,700 x 250 x 110 / 3,150 x 250 x 110 /  
3,650 x 250 x 110 / 3,700 x 250 x 110
- MCV : 6-SPOOL
- Air compressor
- Terminal west fork carriage
- Hands free
- Beacon lamp

\* Standard and optional equipment may vary per country. Contact your Hyundai dealer for more information.  
\* The photos may include attachments and optional equipment that are not available in your area.  
\* Materials and specifications are subject to change without advance notice.  
\* All imperial measurements rounded off to the nearest pound or inch.

PLEASE CONTACT



## Specification

Identification		
1.1	Manufacturer	HYUNDAI
1.2	Type	180D-9
1.3	Drive: Electric, Diesel, LPG Gas	DIESEL
1.4	Type of operation: hand, pedestrian, standing, seated, order-picker	seated
1.5	Load capacity (standard)	Q (kg) 18,000
1.6	Load center distance	c (mm) 900
1.8	Load distance, center of drive axle to forks	x (mm) 999
1.9	Wheelbase	y (mm) 3,750
Weights		
2.1	Service weight	kg 26,094
2.2	Axle loading, loaded front / rear	kg 39,966 / 4,285
2.3	Axle loading, unloaded front / rear	kg 12,851 / 13,400
Wheels, Chassis		
3.1	Tires : solid rubber (V), superelastic (SE), pneumatic (P), polyurethane (PE)	Pneumatic
3.2	Tires size, front (Ø x width)	12.00 - 20 - 20PR
3.3	Tires size, rear (Ø x width)	12.00 - 20 - 20PR
3.5	Wheels, number front rear (x = driven wheels)	4 x 2
3.6	Track width, front	b10 (mm) 1,860
3.7	Track width, rear	b11 (mm) 2,300
Basic Dimensions		
4.1	Mast / fork carriage tilt forward / backward	degrees 10 / 10
4.2	Lowered mast height (standard)	h1 (mm) 3,350
4.3	Lift height	h3 (mm) 3,320
4.4	Extended mast height	h4 (mm) 4,960
4.5	Overhead load guard (cab) height	h5 (mm) 2,990
4.6	Seat height / standing height	h7 (mm) 2,150
4.7	Coupling height	h10 (mm) 610
4.8	Overall length	l1 (mm) 8,045
4.9	Length to face of forks	l2 (mm) 5,595
4.10	Overall width	b1 (mm) 2,540
4.11	Fork dimensions L x W x T	s / e / l (mm) 100 x 250 x 2,450
4.12	Fork carriage width	b3 (mm) 2,950
4.13	Ground clearance, loaded, under mast	m1 (mm) 245
4.14	Ground clearance, centre of wheelbase	m2 (mm) 370
4.15	Aisle width for pallets 1000 x 1200 crossways (L x W)	Ast (mm) 8,983
4.16	Aisle width for pallets 800 x 1200 lengthways (W x L)	Ast (mm) 8,983
4.17	Turning radius	Wa (mm) 5,220
4.18	Smallest pivot point distance	(mm) 2,048
Performance Data		
5.1	Travel speed, loaded / unloaded	km/h 37.5
5.2	Lift speed, loaded / unloaded	mm/s 370/420
5.3	Lowering speed, loaded / unloaded	mm/s 420/300
5.5	Drawbar pull, loaded	kg 150
5.7	Gradient performance, loaded	% 31.1
5.10	Service brake	Wet, Hydraulic
Engine		
6.1	Engine manufacturer / type	BENZ(MTU)
6.2	Engine power acc. To ISO 1585	kW 210
6.3	Rated speed	1/min 2,200
6.4	No. of cylinder / cubic capacity	/cm <sup>3</sup> 7,700
6.5	Fuel consumption acc. To VDI cycle	ℓ/h 14.8
Other Details		
8.1	Type of drive control	Power Shift
8.2	Operating pressure (system / attachments)	kg.f/cm <sup>2</sup> 240 / 160
8.3	Oil volume for attachments	ℓ/min 270
8.4	Sound level at driver's ear according to DIN 12 053	db(A) 76.9